

AMC-TJ2

DATASHEET

An updated bench-top AMC test jig for development and test work on AdvancedMC cards

Facilitates easy access to circuitry for fault finding or debug during board operation

Supports up to 6.25 Gbaud serial data traffic on AMC ports 4-7, 8-11 and 20-17

RJ45 connectors for 1000BaseT Ethernet on AMC ports 0, 1



KEY FEATURES

- Mini-SAS connectors and updated PCB for high frequency signals
- Integrated dual Ethernet PHY
- Configurable AMC slot
- Open access to AMC card
- 5A or 10A current limit at 12V
- Power status LEDs
- Current monitoring outputs

RESULTING BENEFITS

- ⇒ Supports 6.25 Gbaud serial data on AMC ports 4-7, 8-11 and 20-17
- ⇒ Standard RJ-45 Gigabit Ethernet connections to AMC ports 0 and 1
- ⇒ Supports all standard AMC sizes
- ⇒ Allows easy probing and debug
- ⇒ Supports AMCs up to 120W power
- ⇒ Gives visual indication of board state
- ⇒ Allows easy management and payload current draw measurements

The CommAgility AMC-TJ2 test jig is an updated version of the original AMC-TJ1, incorporating support for the latest fat pipe speed increases, with enhanced PCB design and new high speed connectors. It provides a comprehensive bench-top environment for Advanced Mezzanine Cards (AMCs), allowing easy configuration and access to external ports.

CommAgility Ltd
sales@commagility.com
www.commagility.com
Tel: +44 1509 228866



HARDWARE SPECIFICATIONS

AMC slot:

- Single or double width AMCs
- Compact through to full-size and beyond
- MicroTCA.4 rear transition module access space

Power Supply:

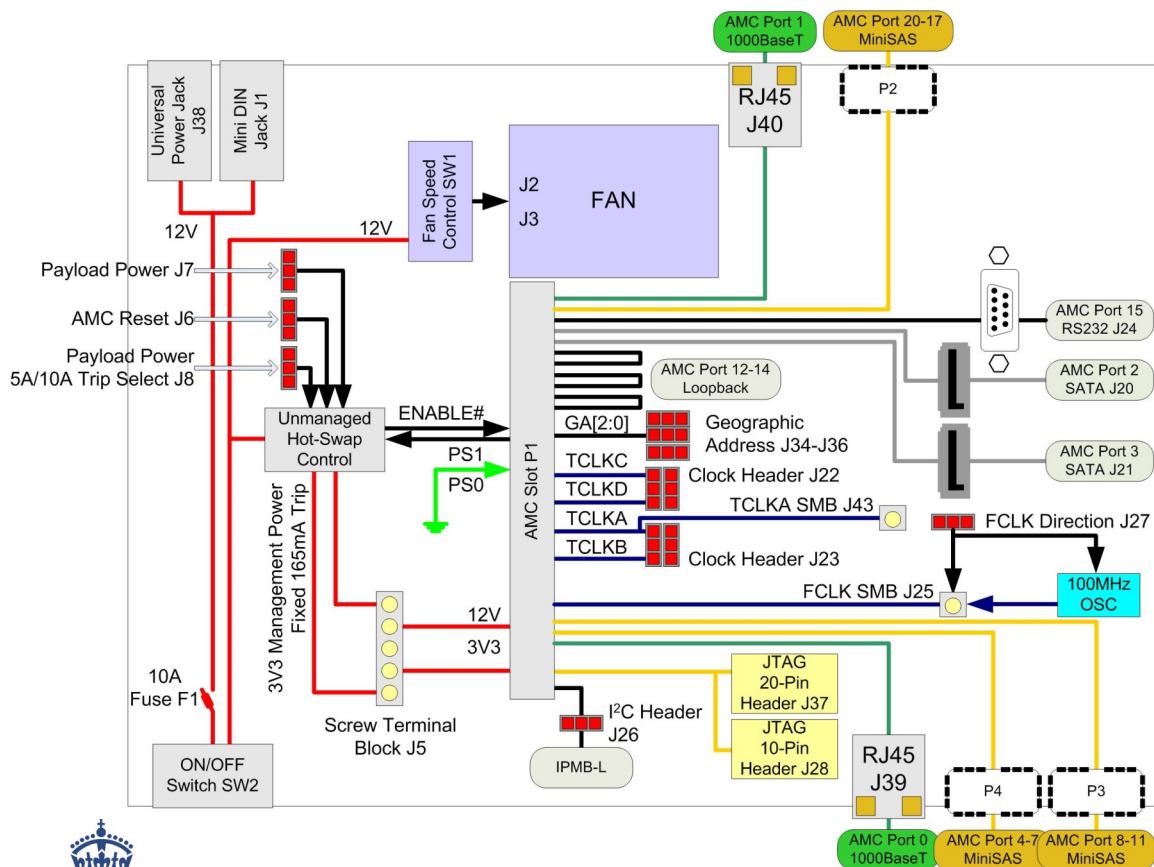
- Requires external PC Mini-ITX PSU
- Un-managed hot-swap control
- 3V3 management power
- 12V main power, 5A or 10A selectable current limit

AMC backplane I/O:

- RJ-45 Gigabit Ethernet to ports 0, 1
- SATA connectors to ports 2, 3
- MiniSAS connectors to ports 4-7, 8-11 and 20-17, rated up to 6.25Gbaud
- RS-232 connector to port 15
- Geographic address headers
- TCLKA-TCLKD headers
- FCLK header and 100MHz oscillator
- I²C header
- JTAG header

Cooling:

- Dual fans



OEM PARTNERSHIP SERVICES:

IN DEVELOPMENT: Support and training; hardware customisation; software and FPGA development.

IN PRODUCTION: lead-time reduction; extended warranty; and repair; quick turn repairs and/or spares stocking.

EXTENDED LIFE: obsolescence management; guaranteed lifecycle; Escrow.

LICENSING is offered for high volume projects.



AdvancedMC™

CommAgility Ltd, Loughborough, UK
Tel: +44 1509 228866
World-wide support details:

sales@commagility.com
www.commagility.com
www.commagility.com/contact