

# VPX-TJ1

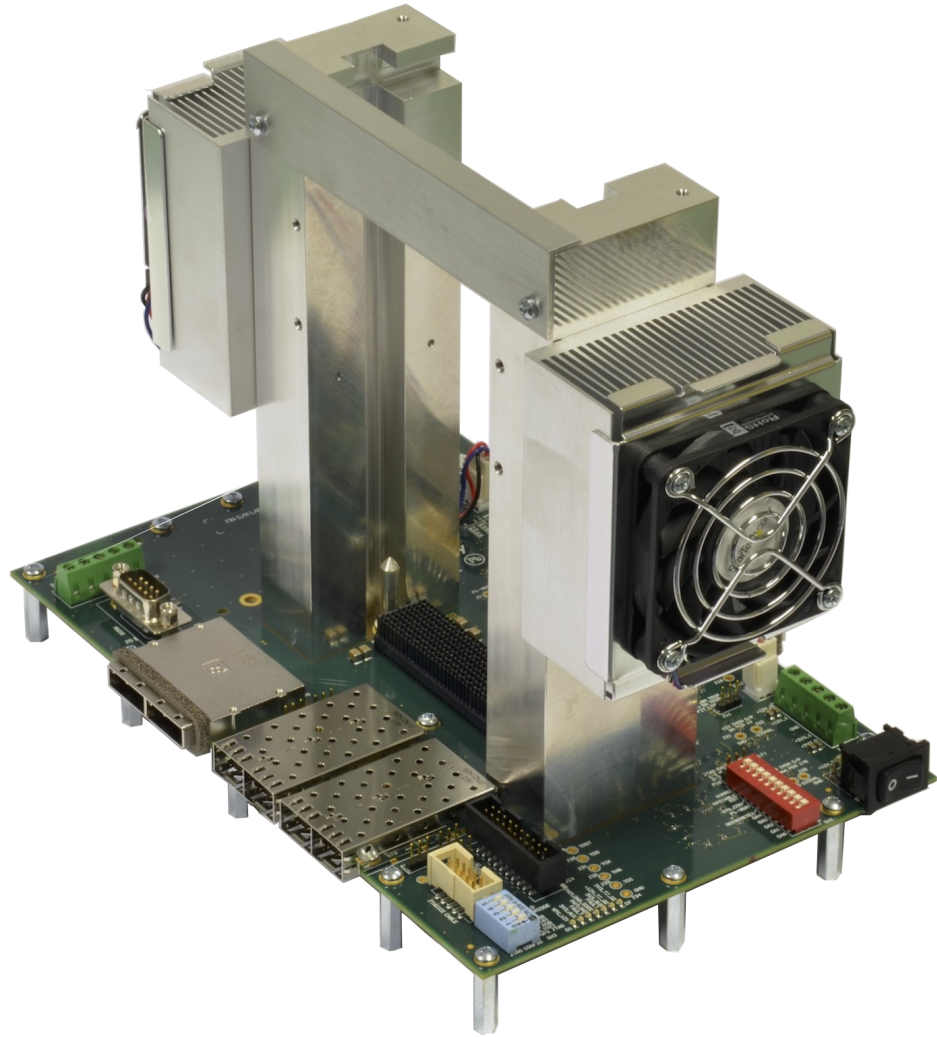
## DATASHEET

A benchtop test jig for development and test work on VPX cards

Facilitates easy access to circuitry for fault finding or debug during board operation

Supports up to 6.25 Gbaud serial data

RJ45 connectors for 1000BaseT Ethernet on VPX Control Plane ports  
CPutp01, CPutp02



### KEY FEATURES

- Mini-SAS connectors and PCB suitable for high frequency signals
- Dual Ethernet interface to VPX Control Plane
- VPX slot
- Open access to VPX card
- 5A or 10A current limit at 12V
- Power status LEDs
- Current monitoring outputs

### RESULTING BENEFITS

- ⇒ Supports 6.25 Gbaud serial data on VPX P1 Lanes 9-12
- ⇒ Standard RJ-45 Gigabit Ethernet connections to P1 Lanes 15 and 16
- ⇒ Supports VPX and OpenVPX 0.8" and 1.0" pitch cards
- ⇒ Allows easy probing and debug
- ⇒ Supports cards up to 120W power
- ⇒ Gives visual indication of board state
- ⇒ Allows easy management and payload current draw measurements

The CommAgility VPX-TJ1 test jig provides a comprehensive bench-top environment for VPX modules, allowing easy configuration and access to external ports.

CommAgility Ltd  
sales@commagility.com  
www.commagility.com  
Tel: +44 1509 228866



## HARDWARE SPECIFICATIONS

### VPX slot:

- Allows stand-alone board test or functional testing with external equipment
- Also allows data fabric connections to another VPX in a second VPX-TJ1
- Supports 3U cards with 0.8" and 1.0" pitch

### Power Supply:

- Requires external PC Mini-ITX PSU
- Un-managed hot-swap control
- 3V3 management power
- 12V main power, 5A or 10A selectable current limit

### Backplane I/O:

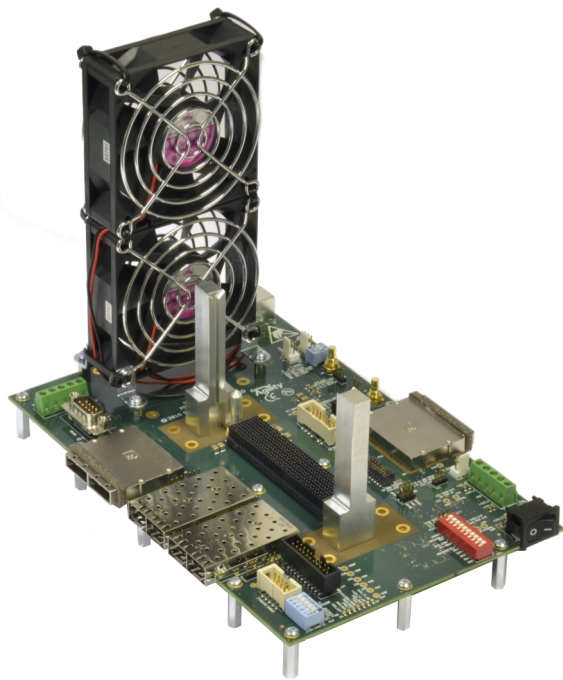
- RJ-45 Gigabit Ethernet to P1 Lanes 15, 16
- MiniSAS connectors to P1 Lanes 9-12, rated up to 6.25 Gbaud
- RS-232 connector
- Geographic address headers
- REF\_CLK header and onboard 100MHz oscillator
- I<sup>2</sup>C header
- JTAG header

### Cooling:

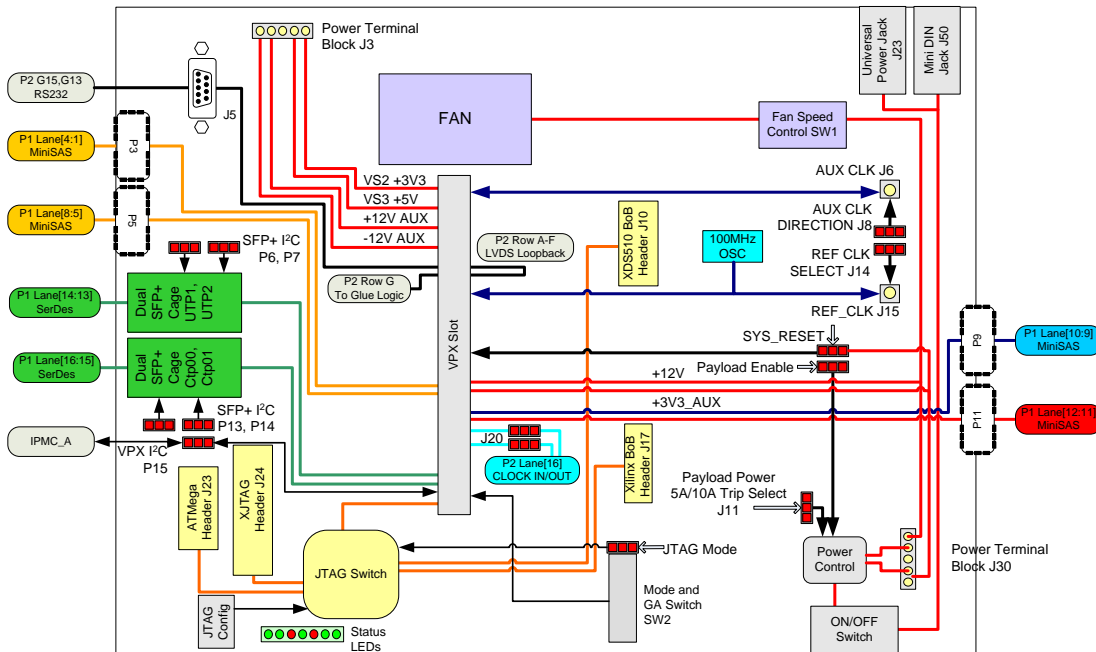
- Air-cooled and conduction cooled versions available
- Dual fans

### Environment and safety:

- Storage temperature -20 to +60°C
- Operating temperature 0 to 40°C
- 2011/65/EU RoHS, 2012/19/EU WEEE and EC/1907/2006 REACH compliant



VPX-TJ1



**OEM PARTNERSHIP SERVICES:**

**IN DEVELOPMENT:** Support and training; hardware customisation; software and FPGA development.

**IN PRODUCTION:** lead-time reduction; extended warranty; and repair; quick turn repairs and/or spares stocking.

**EXTENDED LIFE:** obsolescence management; guaranteed lifecycle; Escrow.

**LICENSING** is offered for high volume projects.



THE QUEEN'S AWARDS  
FOR ENTERPRISE:  
INNOVATION  
2016

CommAgility Ltd, Loughborough, UK  
Tel: +44 1509 228866

sales@commagility.com  
www.commagility.com